



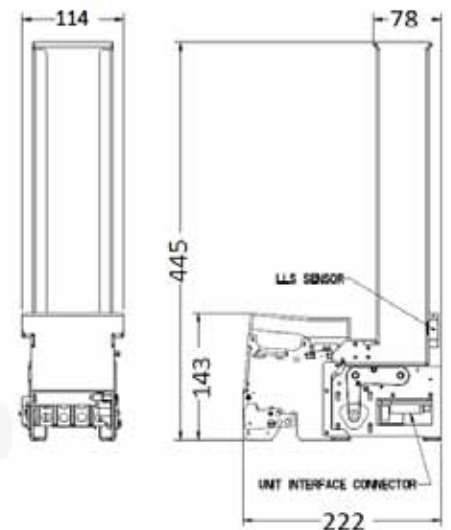
The LCE-500 dispense, encode then drop vend or capture contactless cards of credit card style. Creating a simple but effective card handling solution.

FEATURES

- Contactless encoding of cards with Mifare module as standard
- Option for barcode or customer's own contactless reader
- Drop vend to customer or capture cards
- Low level sensing option
- Fast dispensing speed
- Serial RS232 or parallel control options for dispenser and diverter
- Card capacity 445 cards (56 x 89 x 0.8mm)
- Compact size
- Robust construction

TECHNICAL SPECIFICATIONS

- **Supply Voltage**
24VDC +/- 10% (0.5V peak to peak max ripple)
- **Current Consumption**
0.1 Amps (2.0Amps peak)
- **Control Interface**
Parallel or serial RS232 operation
- **Card Encoder**
ACG Mifare13.6MHz unit for ISO 14443A cards
- **Size**
445(H) x 222(D) x 114(W)
- **Environment**
Temperature: -10°C to +40°C
Humidity: 30-90% (non-condensing)
- **Card Capacity**
445 cards 0.8mm thick
- **Dispensing Speed**
Approximately 1 second
- **Mating Connector (Control)**
Molex C-Grid III_type 24-way socket
- **Mating Connector (Mifare)**
standard '9' way D type





The LCD-500 can dispense up to 445 credit card style cards laterally creating a compact unit only 122mm long.

FEATURES

- Compact Size
- Lateral card dispensing
- Fast dispensing speed
- Comprehensive control board fitted as standard to provide either serial or parallel control options
- Card capacity 445 cards (56 x 89 x 0.8mm)
- Robust construction
- Low level sensing option

TECHNICAL SPECIFICATIONS

- **Supply Voltage**
24VDC +/- 10%
(0.5V peak to peak max ripple)
- **Current Consumption**
0.1 Amps (2.0Amps peak)
- **Control Interface**
Parallel or serial RS232 operation
- **Size**
445(H) x 122(D) x 102(W)
- **Environment**
Temperature: -10°C to +40°C
Humidity: 30-90% (non-condensing)
- **Card Capacity**
445 cards 0.8mm thick
- **Dispensing Speed**
Approximately 1 second
- **Mating Connector**
Molex C-Grid III_type 24-way socket

