

SH-400

Ultra Compact Hopper

Asahiseiko



Available in several versions, this hopper meets the demanding requirements of the amusement industry.

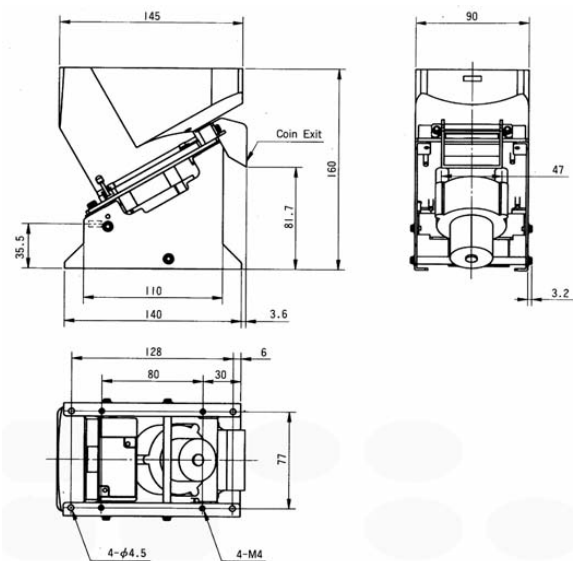
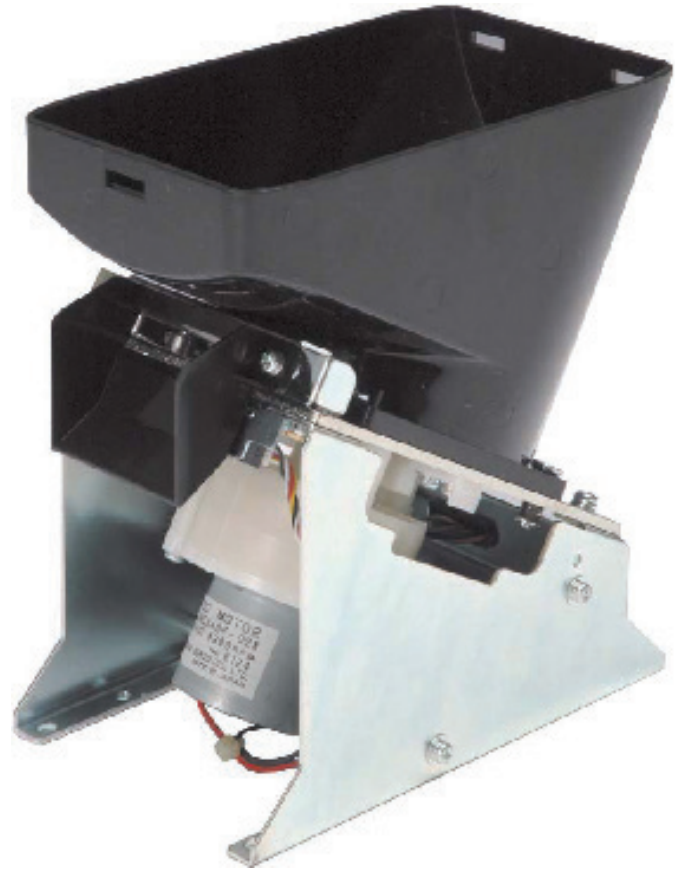
Coin counting options are opto or proximity sensor and interface options are available.

FEATURES

- Built in motorbrake and auto-reverse mechanism helps to achieve excellent dispensing performance
- Easy bowl removal for cleaning/maintenance
- Opto or proximity sensor options
- Standard discs easy to remove or exchange without the need for special tools or equipment
- Extension heads available for increased capacity without affecting performance or reliability

TECHNICAL SPECIFICATIONS

- **Applicable Coin Size**
Diameter: 16.5-30.8mm
Thickness: 1.5-3.1mm
- **Dispensing Speed**
Up to 600 coins per minute (approximately)
- **Coin Capacity**
Coin Size (example) Head Capacity
25mm diameter 400 with extension bowl 750
- **Coin Counting Method**
Proximity Sensor (SH-400-P)
Optical Sensor (SH-400-O)
- **Motor Control**
Dedicated Control Board
- **Motor Voltage**
24VDC + 10% - 0
- **Continuous Operation**
10 minutes max
- **Current Consumption**
230mA (operating) / 2.0A (peak)
- **Operating Temperature**
-10°C to +50°C
- **Weight**
1.1kg (approximately)
- **Accessories**
USB
CCTALK



ASAHI SEIKO (EUROPE) LTD

Asahi House, North Farm Road, Tunbridge Wells, Kent, TN2 3DR United Kingdom
T: +44 (0) 1892 518173 F: +44 (0) 1892 518174 E: sales@aseuro.co.uk

© Asahi Seiko (Europe) Ltd

www.aseuro.co.uk

