

FH-700/L1

Compact Escalator Hopper

Asahiseiko

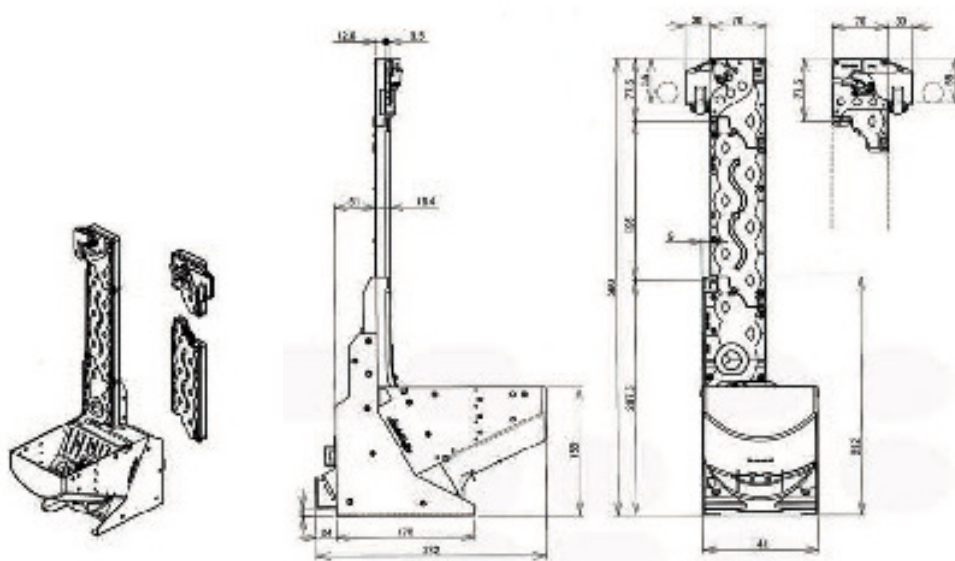


The FH-700/L1 is Asahi Seiko's first non coin specific escalator hopper.

Featuring fast payout speeds and last coin payout in both the bowl and the escalator.

TECHNICAL SPECIFICATIONS

- **Applicable Coin Size**
20-26mm
Thickness 1.5 -2.5mm
- **Dispensing Speed**
Up to 300 coins/minute
- **Coin Capacity**
Approximately 1000pcs of 20mm coin
- **Escalator Heights**
365mm, 560mm (increasing in increments of 195mm)
- **Motor Voltage**
DC24V
- **Current Consumption**
2.6A (peak)
- **Operating Temperature**
-10 degrees C to + 50 degrees C
- **Weight**
3.9kg (560mm escalator)



ASAHI SEIKO (EUROPE) LTD

Asahi House, North Farm Road, Tunbridge Wells, Kent, TN2 3DR United Kingdom
T: +44 (0) 1892 518173 F: +44 (0) 1892 518174 E: sales@aseuro.co.uk

© Asahi Seiko (Europe) Ltd

www.aseuro.co.uk

